

# JSP – 80

## HEAVY DUTY FOR SERVICE ENTRANCE APPLICATIONS



### FEATURES AND BENEFITS

- Listed to UL 1449 3rd Edition for a Type 1 and Type 2 SPD application.
- Fail-safe design with individually fused Metal Oxide Varistors (MOVs) eliminating single point failure, protecting against both overcurrent and overvoltage events.
- 200kAIC short circuit rating permits direct bus connection to most electrical services.
- Low let through voltage ensured by the lowest possible impedance path to ground and equal current sharing during surge events.
- All weather sealed, powder-coated NEMA 4/IP65 housing is designed for any orientation and indoor/outdoor applications.
- 10-year standard warranty with optional 15-year extended warranty.

### AVAILABLE CONFIGURATIONS

Model Number	Voltage	Configuration
JSP080-1P120	120V	1-Phase, 2-Wire + Ground
JSP080-1P240	240V	1-Phase, 2-Wire + Ground
JSP080-1S240	120/240V	2-Phase, 3-Wire + Ground
JSP080-3Y208	120/208V	3-Phase, 4-Wire + Ground
JSP080-3Y380	220/380V	3-Phase, 4-Wire + Ground
JSP080-3Y415	240/415V	3-Phase, 4-Wire + Ground
JSP080-3Y480	277/480V	3-Phase, 4-Wire + Ground
JSP080-3H240	120/240V	3-Phase, High-Leg, 4-Wire + Ground
JSP080-3D240	240 (Delta)	3-Phase, 3-Wire + Ground

#### Warranty

10-years (Optional 15-years)

#### Available Options

Advanced Monitoring	Add suffix -M (Includes Dry Relay Contacts, Audible Alarm, Alarm Silence Button, Fault Light)
Transient Filter	Add suffix -F (Meets UL 1283*)
Stainless Steel Enclosure	Add suffix -S

\*Not recommended when using telecommunication rectifiers.

#### Stand Alone Option (To be ordered as a Separate Item)

JSP-FMP	Flush-Mount Plate Kit
---------	-----------------------

#### EMI/RFI Filter Attenuation

Max. Attenuation Frequency	41dB @ 106kHz
----------------------------	---------------

### PRODUCT SPECIFICATIONS

#### Electrical

Maximum Surge Current Rating	80kA per phase, 40kA per mode
Nominal Discharge Current Rating (I-n)	10kA
Operating Frequency	47–63Hz
Connection Method	Parallel to electrical distribution system
Modes of Protection	All Modes (L-N, L-G, N-G, L-L)
Fault Rating (SCCR)	200kAIC – no upstream over-current protection device (breaker or fuse) required
Response Time	Less than 1 nanosecond
Standard Monitoring	Status indicator lights (one per phase)

#### Mechanical

Weight	10 lbs. (4.5 kg)
Enclosure Type	Powder coated, impact-resistance steel, weather-proof NEMA 4
Installation Location	Indoor / Outdoor
Mounting Method	Dual mounting flanges
Operating Environment	-40° to +185°F (-40° to +70°C)
Altitude	Up to 13,000 ft. (4000 m)
Product Design	Parallel design with individually fused MOVs

#### Regulatory

UL 1449 3rd Edition Type	Type 1
UL 1283	Yes
IEEE C62.41.1, .2, C62.45	Yes
Listed By	ETL

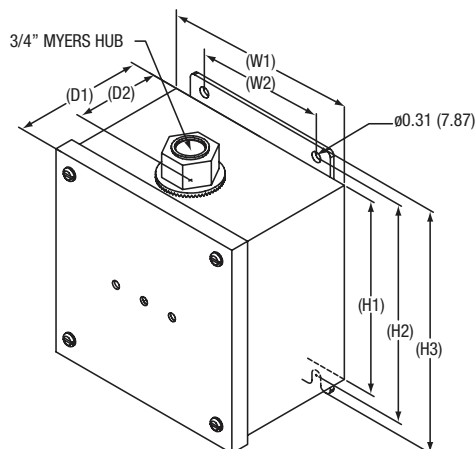
# SURGE PROTECTIVE DEVICES

## JSP 80 PERFORMANCE DATA

**ANSI/IEEE C62.41.1-2002, C62.41.2-2002, & C62.45-2002 Measured Limiting Voltage**

Model Number	Voltage Configuration	Protection Mode	MCOV	B3 Ring Wave	B3/C1 Combo	C3 Combo	UL 1449 3rd Edition
				6kV, 500A	Wave 6kV, 3kA	Wave 20kV, 10kA	6kV, 3kA VPR
JSP080-1P120	1P120	L-N	150V	202V	587V	1078V	600V
		L-G	150V	529V	564V	1157V	600V
		N-G	150V	548V	594V	1180V	600V
JSP080-1P240	1P240	L-N	320V	180V	1036V	1553V	1200V
		L-G	320V	855V	989V	1483V	1200V
		N-G	150V	840V	989V	1470V	1200V
JSP080-1S240	1S240	L-N	150V	202V	587V	1078V	600V
		L-G	150V	529V	564V	1157V	600V
		L-L	300V	290V	1029V	1667V	1000V
JSP080-3Y208	3Y208	N-G	150V	548V	594V	1180V	600V
		L-N	150V	202V	587V	1078V	600V
		L-G	150V	529V	564V	1157V	600V
JSP080-3Y380	3Y380	L-L	300V	290V	1029V	1667V	1000V
		N-G	150V	548V	594V	1180V	600V
		L-N	320V	180V	1036V	1553V	600V
JSP080-3Y415	3Y415	L-G	320V	855V	989V	1483V	600V
		L-L	600V	261V	1847V	2520V	1000V
		N-G	150V	840V	989V	1470V	600V
JSP080-3Y480	3Y480	L-N	320V	180V	1036V	1553V	1200V
		L-G	320V	855V	989V	1483V	1200V
		L-L	600V	261V	1847V	2520V	2000V
JSP080-3H240	3H240	N-G	150V	840V	989V	1470V	1200V
		L-N	150V	202V	587V	1078V	600V
		H-N	320V	180V	1036V	1553V	1200V
JSP080-3D240	3D240	L-G	150V	529V	564V	1157V	600V
		H-G	320V	855V	989V	1483V	1200V
		L-L	300V	290V	1029V	1667V	1000V
JSP080-3Y480	3Y480	H-L	470V	840V	1250V	1640V	1500V
		N-G	150V	548V	594V	1180V	600V
		L-G	320V	855V	989V	1553V	1200V
JSP080-3D240	3D240	L-L	300V	855V	989V	1553V	1000V

All JSP™ systems measured limited voltages are peak values (±10%) measured from the zero reference point and are in compliance with test and evaluation procedures outlined in NEMA LS1-1992 (2000), paragraphs 2.210 and 3.10.



### DIMENSIONS

Dim	Inches (mm)
H1	6.00 (152.4)
H2	6.75 (171.5)
H3	7.50 (190.5)
W1	6.00 (152.4)
W2	4.00 (101.6)
D1	4.16 (105.7)
D2	2.00 (50.8)



# Energía Verde RMS

Ahorra y contribuye con tu ambiente <sup>®</sup>

General Miguel Barragán #814  
Aguascalientes, Ags.  
01 (449) 145 2028  
[energiaverderms.com.mx](http://energiaverderms.com.mx)